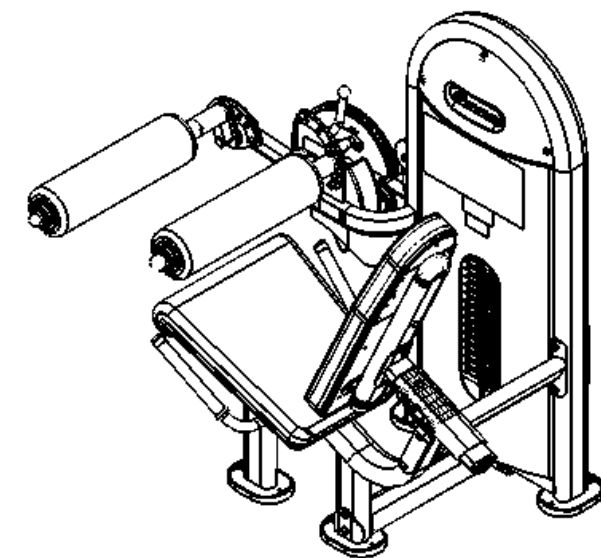
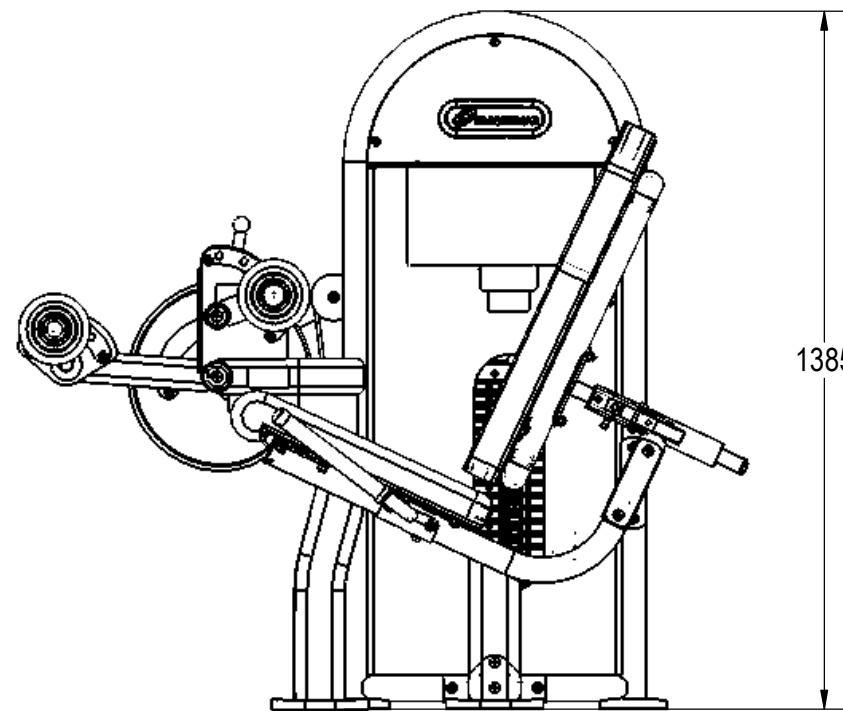
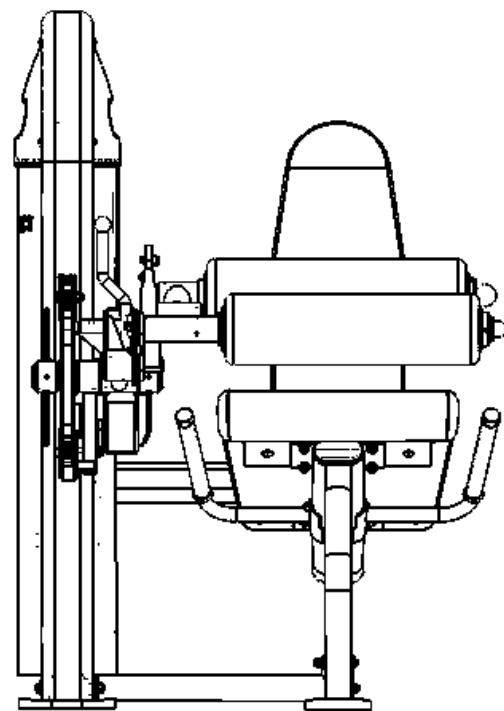
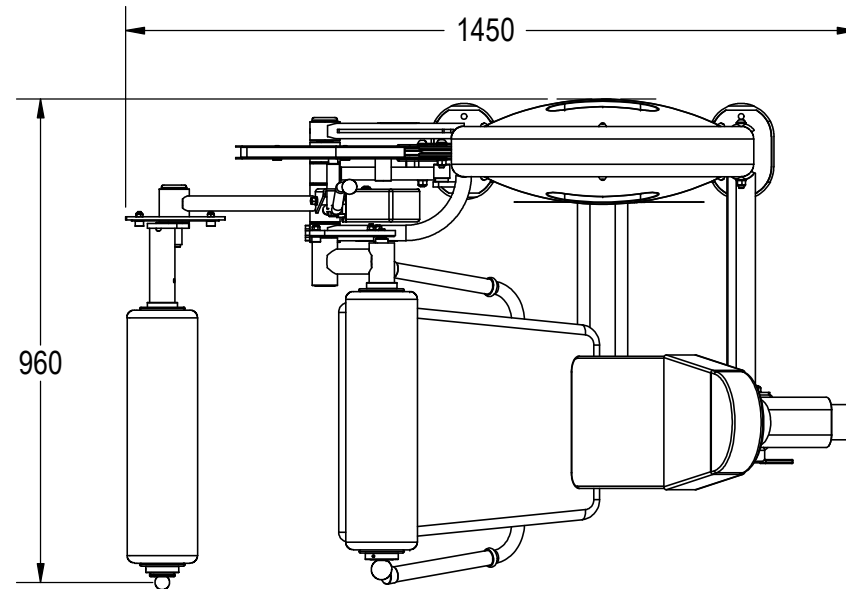


NOTES:

1. ASSEMBLE AND INSPECT PER SOP 620-7918..
2. INSTALL Kg STICKER AND AFFIX Lb STICKER TO INSIDE OF SHROUD WITH TAPE.
3. COLOR DICTATED BY THE SALES ORDER. REFERENCE THE MACHINES BOM FOR COMPONENTS CONTAINING -XX, -00XX AND -XXXX.
  - a. COLOR: -XX COLOR DESIGNATOR AS SPECIFIED IN SOP 620-8222.
  - b. THE -XX CAN RESULT IN ONE COLOR FOR THE METAL SHROUD AND A DIFFERENT COLOR FOR THE METAL FRAME ALSO WITH A -XX LISTED ON THE BOM.
  - c. THE -00XX IS THE COLOR DESIGNATOR FOR UPHOLSTERY.
  - d. THE 5TH DESIGNATOR: "X" WITHIN -XXXXX DEFINES THE HEAD STRAP OR CUSTOM PRODUCTS BRAND. THIS IS SPECIFIED ON SALES ORDERS.
  - e. THE -XXXXX IS CREATED BY COMBINING THE -XX, -00XX AND THE 5TH DESIGNATOR.
  - f. ALL X'S SHOULD BE DEFINED ON THE SALES ORDER.

REVISION HISTORY				
REV	DATE	DESCRIPTION	ECO	BY
A	7/26/2016	INITIAL RELEASE	15466	AM



**DOCUMENT STATUS:**

NOTICE OF PROPRIETARY INFORMATION

THIS DOCUMENT SHALL NOT BE REPRODUCED NOR SHALL THE INFORMATION CONTAINED HEREIN BE USED BY OR DISCLOSED TO OTHER EXCEPT AS EXPRESSLY AUTHORIZED BY CORE HEALTH & FITNESS, LLC.

CLASS OF WORK	UNLESS OTHERWISE SPECIFIED DIMS ARE IN mm. TOLERANCES FOR MEASURE OF LENGTH ARE:							ANGLES = ±2°
	0.5 to 3	> 3 to 6	> 6 to 30	> 30 to 120	> 120 to 400	> 400 to 1000	> 1000 to 2000	
FINE	±0.05	±0.05	±0.1	±0.15	±0.2	±0.3	±0.5	----
MEDIUM <b>X</b>	±0.1	±0.1	±0.2	±0.3	±0.5	±0.8	±1.2	±2
COARSE	±0.2	±0.3	±0.5	±0.8	±1.2	±2	±3	±4
VERY COARSE	----	±0.5	±1	±1.5	±2.5	±4	±6	±8

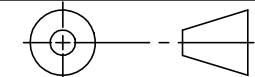
**MATERIAL**  
SEE BOM

**FINISH**  
SEE NOTES

VENDOR:

P/N:

THIRD ANGLE PROJECTION



	INITIAL	DATE
DRAWN	AM	7/25/16
CHECKED		
APPROVED		

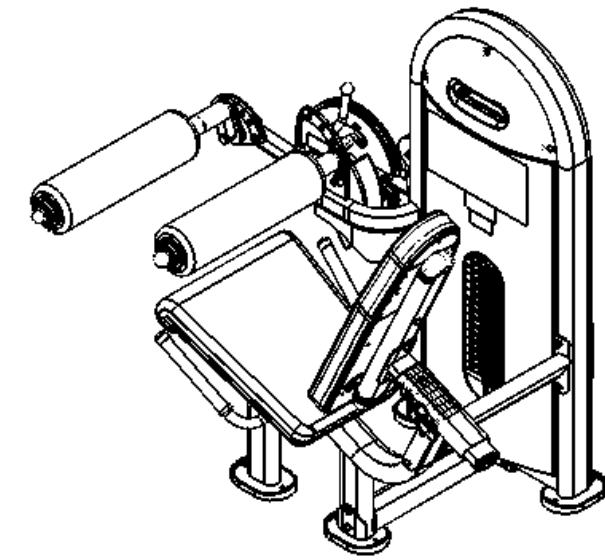
**CORE HEALTH & FITNESS, LLC**  
4400 NE 77th Ave., Suite 300  
Vancouver, WA 98662

CORE PART NO: **NL-D1014-29AGS** REV: **A**

TITLE: NL,DSS,LEG EXT/CURL,SIDE,LNL

SCALE: 1:15 SHEET 1 OF 3 SHEET SIZE: B

9		8			7		6		5		4		3		2		1	
	ITEM NO.	PART NUMBER	DESCRIPTION		QTY.		ITEM NO.	PART NUMBER	DESCRIPTION		QTY.							
J	1	050-5457	Label, S/N, Non-Powered, Primary, Core H&F		1		46	730-1041	ASSY,MAIN FRAME		1							J
	2	730-0199	CAP,FLAT,ELLIPSE TUBE,100X50		1		47	730-1042	CROSSBEAM,LOWER,FRAME		1							
	3	730-0216	PAD, FEET, BASE, IN-B7503		4		48	730-1043	CROSSBEAM,UPPER,FRAME		1							
I	4	730-0223	CAP,LARGE,FRAME		2		49	730-1044	ASSY,SEAT,HANDLE,FRAME		1							I
	5	730-0233	SHROUD,REAR,WGT STK,LP		1		50	730-1045	UPHOLSTERY,BACK,PAD,BRACKET		1							
	6	730-0244	WELDMENT,SEAT POST		1		51	730-1046	PLATE,SEAT,PAD,SUPPORT		1							
	7	730-0245	PAD,SEAT,IN-S1011		1		52	730-1047	STOPPER,ROM,PLATE		1							
	8	730-0246	PAD,BACK REST,IN-S2100		1		53	730-1051	ADJUSTMENT KNOB,LOCK,PIN		1							
H	9	730-0247	CAP,ROUND,SQUARE TUBE		1		54	730-1053	ADJUSTMENT,KNOB,SPING		1							H
	10	730-0384	LOGO,INSTINCT		1		55	730-1054	FRAME,SEAT,HANDLE,PVC,SLEEVE,GRIP		2							
	11	730-0385	STICKER,CAUTION,PINCH POINT		4		56	730-1055	PAD, KNEE, IN-S1011		1							
	12	730-0548	BLOCK,COUNTERBALANCE,IN-S5110		1		57	730-1057	LOCKING RING,50MM ID,66MM OD		1							
	13	730-0565	CAP,RUBBER,ROD GUIDE WT STK		2		58	730-1078	WEIGHT STACK, GUIDE ROD, 935MM L		2							
G	14	730-0656	CAP,50MM OD		2		59	730-1098	PULLEY ASSY, CABLE, DIA 70MM		3							G
	15	730-0673	BEARING,OD 47, ID 25,THK 12		4		60	730-1103	NUT,M18X1.25,NYLOC,SS		6							
	16	730-0679	STOPPER, OD 17MM, HGH 10.5MM		4		61	730-1104	NUT,M10X1.5,NYLOC,SS		22							
	17	730-0681	PLUG,KNEE PAD,90X51		2		62	730-1109	SCREW,M10X1.5,80MM,BHC,HE,SS		3							
F	18	730-0702	SHROUD,TOP,LP		2		63	730-1111	SCREW,M10X1.5,125MM,BHC,HE,SS		2							F
	19	730-0704	CAP,OUTSIDE,GRIP,25MM,AL		2		64	730-1112	SCREW,M10X1.5,130MM,BHC,HE,SS		6							
	20	730-0845	SPEED NUT,U-STYLE CLIP-ON NUT,M8		6		65	730-1118	SCREW,M10X1.5,30MM,BHC,HE,SS		3							
	21	730-0869	RETAINING RING,25MM ID,32MM OD		2		66	730-1119	SCREW,M10X1.5,35MM,BHC,HE,SS		6							
	22	730-0870	SCREW,M10X1.5,25MM,FHMS,HE,SS		7		67	730-1122	SCREW,M10X1.5,63MM,BHC,HE,SS		4							
E	23	730-0874	SCREW,M8X25,FHM,HK,SS		1		68	730-1131	SCREW,M10X50,BHC,SS		4							E
	24	730-0877	RETAINING RING,25MM ID,32MM OD		1		69	730-1138	SCREW,M8X1.25,20MM,BHC,HE,SS		6							
	25	730-0881	Bearing, 61905-2Z, Ø25mm X Ø42mm X 9mm		2		70	730-1154	CAP,RECESS,FHM SCREW,42MM OD		1							
	26	730-0885	NUT,M6X1.0,JAM,HEX,SS		2		71	730-1155	SCREW,10-32X3.2,SET		6							
	27	730-0889	SCREW,M8X1.25,20MM,SHCS,HE,SS		2		72	730-1156	ASSY,ELONGATE,ADJUSTMENT,SHAFT		1							
D	28	730-0890	SCREW,M8X1.25,25MM,SHCS,HE,SS		2		73	730-1165	PULLEY ASSY, CABLE, DIA 95MM		2							D
	29	730-0891	SCREW,M8X1.25,30MM,SHCS,HE,SS		1		74	730-1216	BUMPER,SHAFT 25 IDX 48 MM		1							
	30	730-0892	SCREW,M8X1.25,55MM,SHCS,HE,SS		1		75	730-1252	SCREW,M10X85,BHC,SS		1							
	31	730-0896	SCREW,M8X1.25,16MM,SET,FPS,HE,SS		4		76	730-1335	SHROUD,LNL,S5100		1							
	32	730-0899	Screw, M6x1.0, 12mm, PHM, PH, SS		2		77	730-1398	WSA-LNL,180LB,15H,SP		1							
C	33	730-0907	WASHER,M10,SPLIT,LOCK		2		78	730-1448	STOP,BUMPER,WEIGHT PLATE, 25.4MM		2							C
	34	730-0908	WASHER,PLAIN,M10,SS		51		79	730-1484-01	STICKER,ADJUST FUNCTION,INSTRUCTION		1							
	35	730-0910	WASHER,PLAIN,M8,SS		13		80	730-1484-02	STICKER,ADJUST FUNCTION,INSTRUCTION		1							
	36	730-0911	SPING,COMPRESSION ,ADJ,HDL		1		81	730-1491	LABEL,INSTRUCTIONS,LOCK N LOAD		1							
B	37	730-0924	ASSY,BAR BALL END CAP, Ø 30		1		82	730-1539	KIT, REPLACEMENT, DSS , LEG EXT/CURL		1							B
	38	730-0930	WELD,HANDLE,EXTENSION,ADJ		1		83	730-1720	CABLE,ASSY,IN-D1014C		1							
	39	730-0935	GRIP,SQUARE,ADJ HANDLE		1		84	730-1795	STOP,ROM,IN-D1014C		1							
	40	730-0936	ASSY,TUBE,INSERT,SLEEVE		2		85	730-1907	PIVOT,PULLEY ARM		1							
A	41	730-0977	WEIGHT STACK,FRAME,IN-D1014C		1		86	730-2133	SCREW,M4X0.7,15MM,SHCS,HE,SS		1							A
	42	730-0979	ROTARY CAM,FRAME,IN-D1014C		1		87	730-7217-XXX	STICKER, PLACARD, INSTRUCTION, LE, NAUT.		1							
	43	730-0983	ASSY,PIVOT,KNEE,BRACKET		1		88	731-0335	STICKER, MADE IN CHINA, IP		1							
	44	730-1022	SHAFT,M25X192		1		89	731-7311	STICKER,NAUTILUS,DECO,45MMX191MM		2							
	45	730-1023	BUMPER,SLEEVE,M32X28		1													

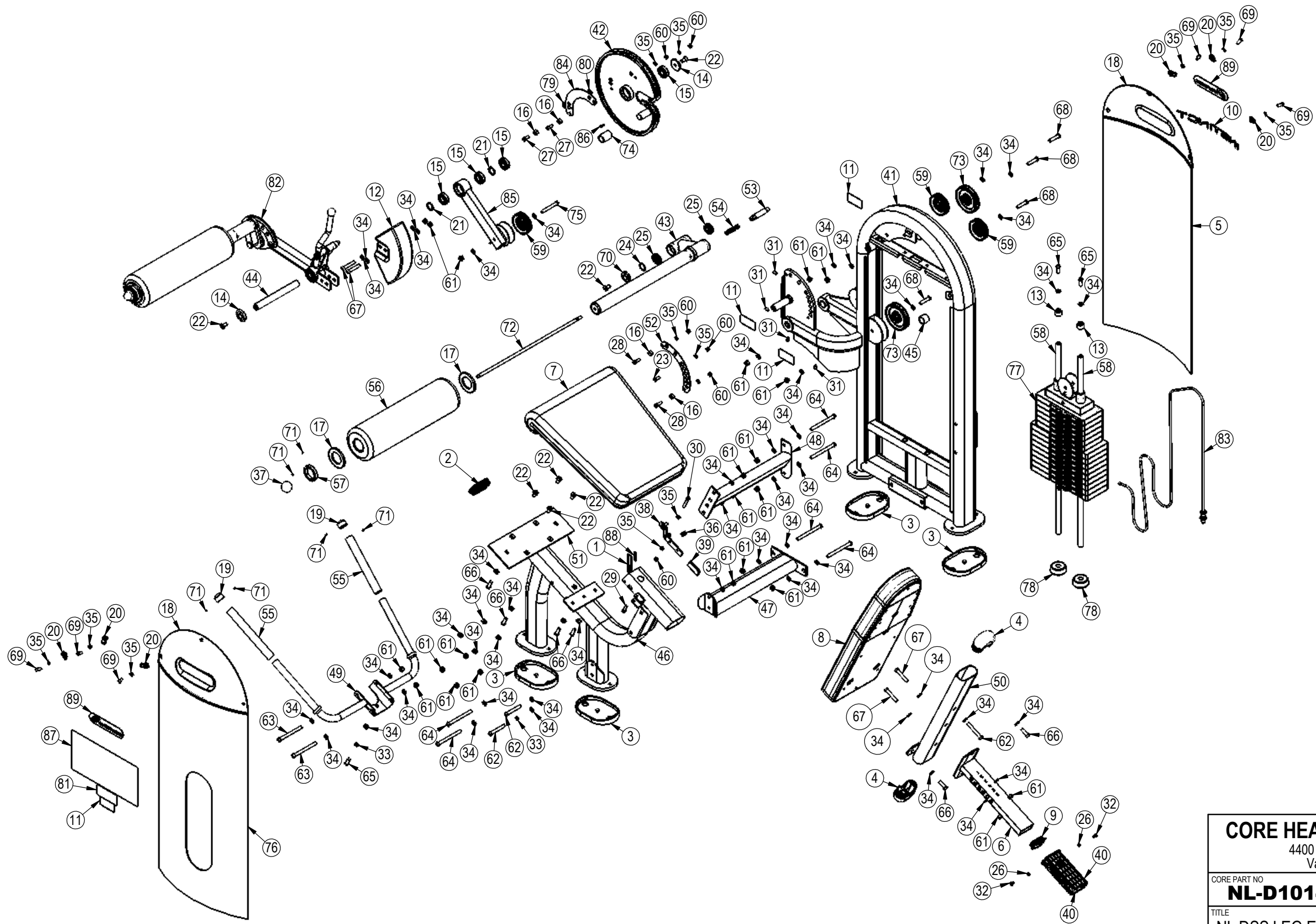


**CORE HEALTH & FITNESS, LLC**  
4400 NE 77th Ave., Suite 300  
Vancouver, WA 98662

CORE PART NO: **NL-D1014-29AGS** REV: **A**

TITLE: **NL,DSS,LEG EXT/CURL,SIDE,LNL**

SCALE: 1:16 SHEET 2 OF 3 SHEET SIZE: B



**CORE HEALTH & FITNESS, LLC**  
 4400 NE 77th Ave., Suite 300  
 Vancouver, WA 98662

CORE PART NO	REV
<b>NL-D1014-29AGS</b>	<b>A</b>
TITLE	
NL,DSS,LEG EXT/CURL,SIDE,LNL	
SCALE: 1:16	SHEET 3 OF 3
SHEET SIZE: B	